

Manufacturer:

OilQuickAmericas  
155 Main Street  
Superior, WI 54880  
Phone: 262.607.8425  
Fax: 715.395.3703

E-mail: [info@oilquickamericas.com](mailto:info@oilquickamericas.com)  
Web: [www.oilquickamericas.com](http://www.oilquickamericas.com)

When ordering spare parts:

- Include the part number, description and desired quantities.
- Include your complete address.
- Specify how the parts are to be delivered.





## TABLE OF CONTENTS

### OQC65 - 2.0

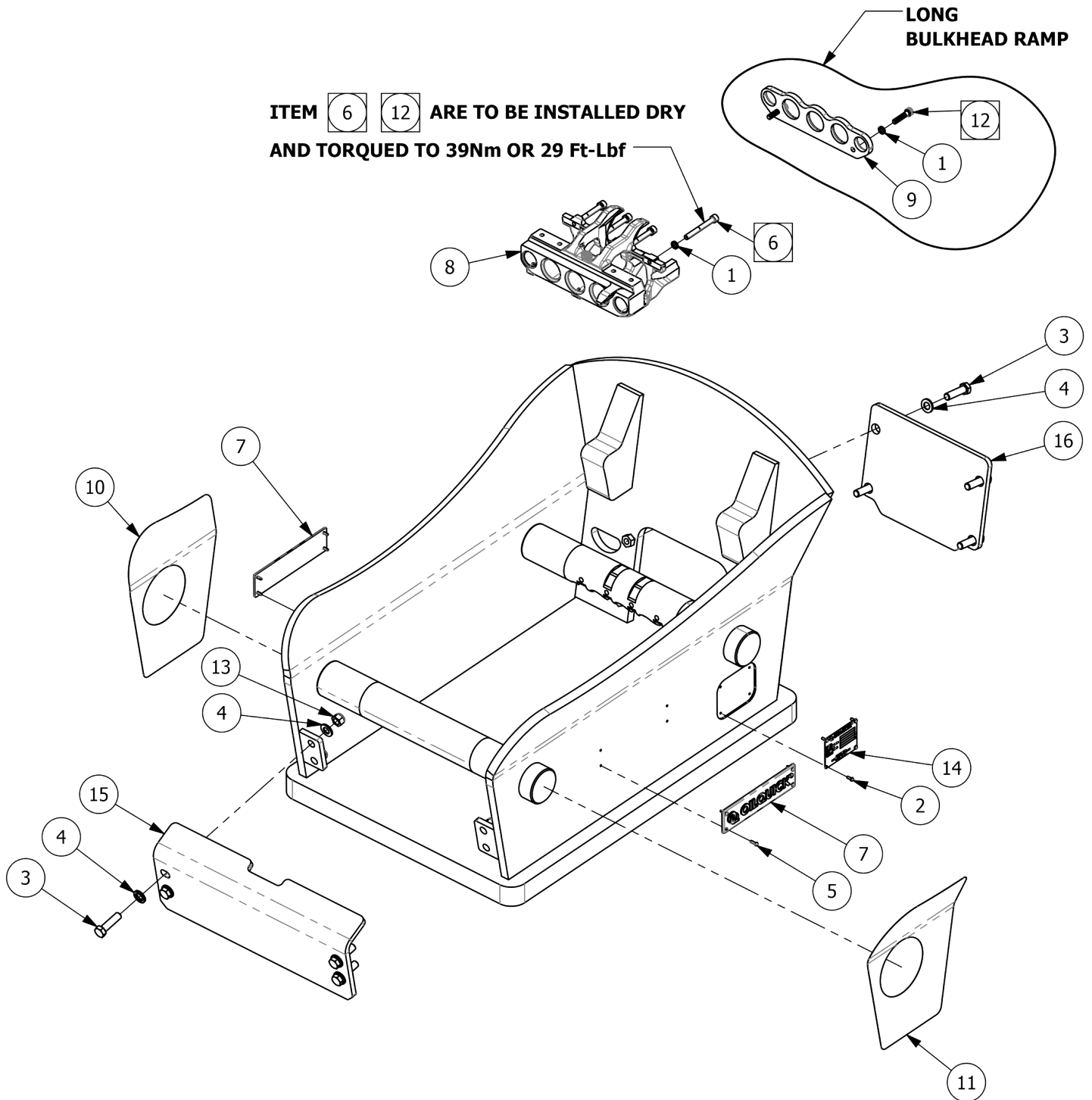
<b>1.0 - HYDRAULIC FRAME ASSEMBLY</b> .....	<b>4</b>
1.1 - OQC65 - 2.0 - FRAME ASSEMBLY .....	4
<b>2.0 - COUPLING COMPONENTS</b> .....	<b>6</b>
2.1 - COUPLINGS OPTIONS - 1/2" AND 3/4" .....	6

# 1.0 - HYDRAULIC FRAME ASSEMBLY

## 1.1 - OQC65 - 2.0 FRAME ASSEMBLY

ITEM 6 12 ARE TO BE INSTALLED DRY  
AND TORQUED TO 39Nm OR 29 Ft-Lbf

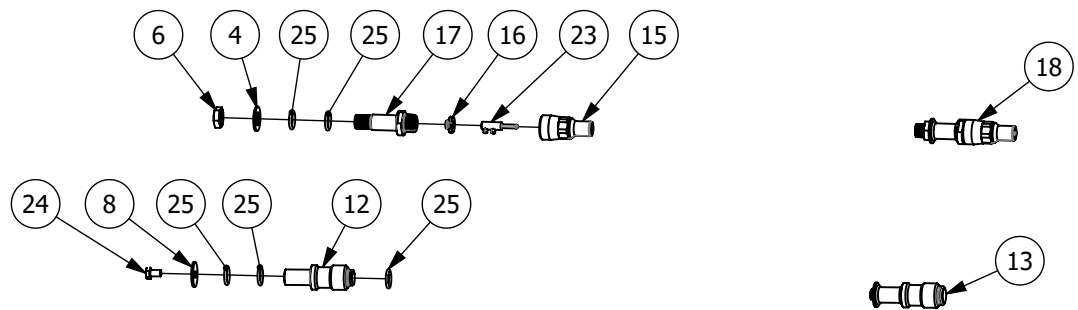
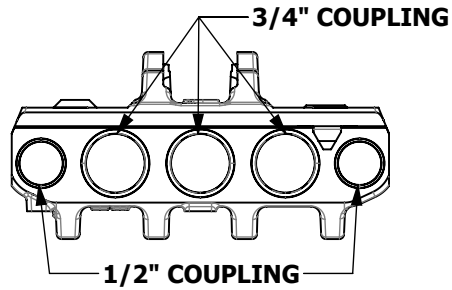
LONG  
BULKHEAD RAMP



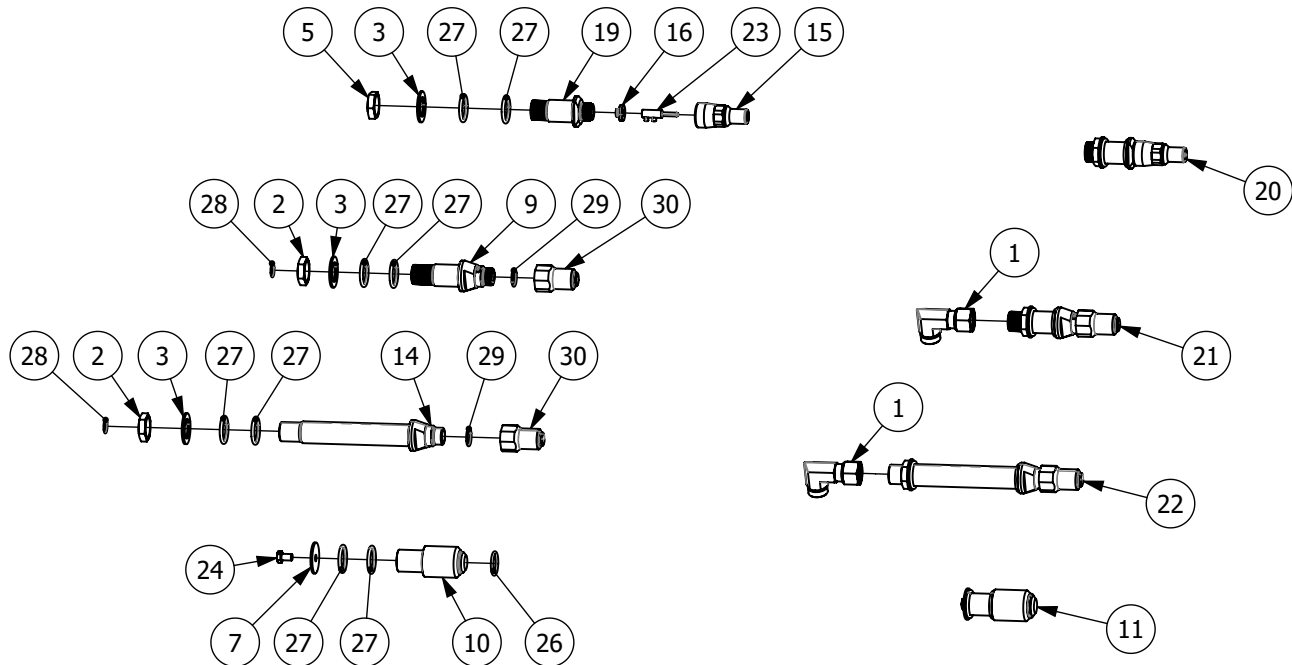
ITEM	PN#	NAME	QTY	UOM
1	50-00773	WASHER NORDLOCK M8 - 13.5 X 2.5 1231	6	EA
2	50-01065	DRIVE SCREW #6 X 3/8 STAINLESS RIVET	4	EA
3	50-01097	HH CS M12 - 1.75 X 45 Z_10.9 DIN 931	8	EA
4	50-01098	WASHER M12 - 24.0 X 2.5 Z_DIN 125	12	EA
5	50-01295	DRIVE SCREW #6 X 1/2 STAINLESS	8	EA
6	50-01420	SH CS M8 - 1.25 X 70 Z_12.9	4	EA
7	OQ4116145	EMBLEM - OILQUICK - OQ45-OQ65	2	EA
8	OQ4136499	COUPLING RAMP OQ65/OQC65 BOLT ON	1	EA
9	OQ4136970	REAR COUPLING RAMP PLATE OQ65/OQC65 LONG	1	EA
10	OQ5180099-02	STICKER - SIDEPLATE LEFT OQC65	1	EA
11	OQ5180099-03	STICKER - SIDEPLATE RIGHT OQC65	1	EA
12	OQ7060078	SH CS M8 - 1.25 X 35 Z_12.9	2	EA
13	OQ7065005	NUT - M12 NYLOCK	4	EA
14	OQE04743	SERIAL TAG - OILQUICK AMERICAS	1	EA
15	OQE08071	PROTECTION PLATE FRONT - OQC65 2.0	1	EA
16	OQE08072	PROTECTION PLATE REAR - OQC65 2.0	1	EA

## 2.0 - COUPLING COMPONENTS

### 2.1 - COUPLINGS OPTIONS - 1/2" AND 3/4"



#### 1/2" COUPLING OPTIONS



#### 3/4" COUPLING OPTIONS

ITEM	PN#	NAME	QTY	UOM
1	40-00363	FTG-HYD 12FOX-12MO-90	2	EA
2	40-00500	FTG-HYD 12MO LOCKNUT	2	EA
3	OQ4112315	WASHER 1.188 - 1.88 X 0.12 P	3	EA
4	OQ4112316	WASHER 0.750 - 1.49 X 0.12 P	1	EA
5	OQ4112398	Nut 1 3/16"-12UN, T=10,5	1	EA
6	OQ4112399	Nut 13/16"-16UN, T=9	1	EA
7	OQ4112659	WASHER 3/4"	1	EA
8	OQ4112660	WASHER 1/2"	1	EA
9	OQ4113766	BULKHEAD 3/4" SHORT OQ65	1	EA
10	OQ4113857	POLY ADAPTER 3/4"	1	EA
11	OQ4113858	POLY ADAPTER 3/4" OQ60-65	1	EA
12	OQ4113859	POLY ADAPTER 1/2"	1	EA
13	OQ4113860	POLY ADAPTER 1/2" OQ60-65	1	EA
14	OQ4116379	BULKHEAD 3/4" LONG OQ65	1	EA
15	OQ4126376	ELEC COUPLING 3/4", MALE	2	EA
16	OQ4126377	PRESSURE WASHER ELEC COUPL 3/4", 1/2" OQC	2	EA
17	OQ4126379	BULKHEAD 1/2 ELEC	1	EA
18	OQ4126380	ELECTRICAL COUPLING 1/2" MALE -100 AMP	1	EA
19	OQ4127122	BULKHEAD 3/4 ELEC	1	EA
20	OQ4127123	ELEC COUPLING 3/4" MALE - 100AMP OQ60-65	1	EA
21	OQ5110083	COUPLING KIT 3/4" OQ65 NO BLOCK	1	EA
22	OQ5118085	COUPLING KIT 3/4" LONG OQ65	1	EA
23	OQ7039037	PIN CONNECTOR- 100A MALE ELECTRICAL	2	EA
24	OQ7060118	HH CS M10 - 1.50 X 16	2	EA
25	OQ7160031	RUBBER RING 22x4	5	EA
26	OQ7160032	RUBBER RING 30x4	1	EA
27	OQ7160043	O-RING 34x5 NBR 70	8	EA
28	OQ7160046	O-RING-018 -12MO (18,77x1,78) NBR 90D	2	EA
29	OQ7160049	O-RING 23,47x2,62 NBR70	2	EA
30	OQ7206019	HYDRAULIC COUPLING 3/4", MALE	2	EA

Dealer:



OilQuickAmericas  
155 Main Street  
Superior, WI 54880  
Phone: 262.607.8425  
Fax: 715.395.3703

E-mail: [info@oilquickamericas.com](mailto:info@oilquickamericas.com)  
Web: [www.oilquickamericas.com](http://www.oilquickamericas.com)