

**Manufacturer:**

OilQuickAmericas  
155 Main Street  
Superior, WI 54880  
Phone: 262.607.8425  
Fax: 715.395.3703

E-mail: [info@oilquickamericas.com](mailto:info@oilquickamericas.com)  
Web: [www.oilquickamericas.com](http://www.oilquickamericas.com)

**When ordering spare parts:**

- Include the part number, description and desired quantities.
- Include your complete address.
- Specify how the parts are to be delivered.





# TABLE OF CONTENTS

## OQ60-5 2.0

### 1.0 - HYDRAULIC FRAME ASSEMBLY

1.1 - OQ60-5 D-FRAME ASSEMBLY ..... 4

### 2.0 - HYDRAULIC COMPONENTS

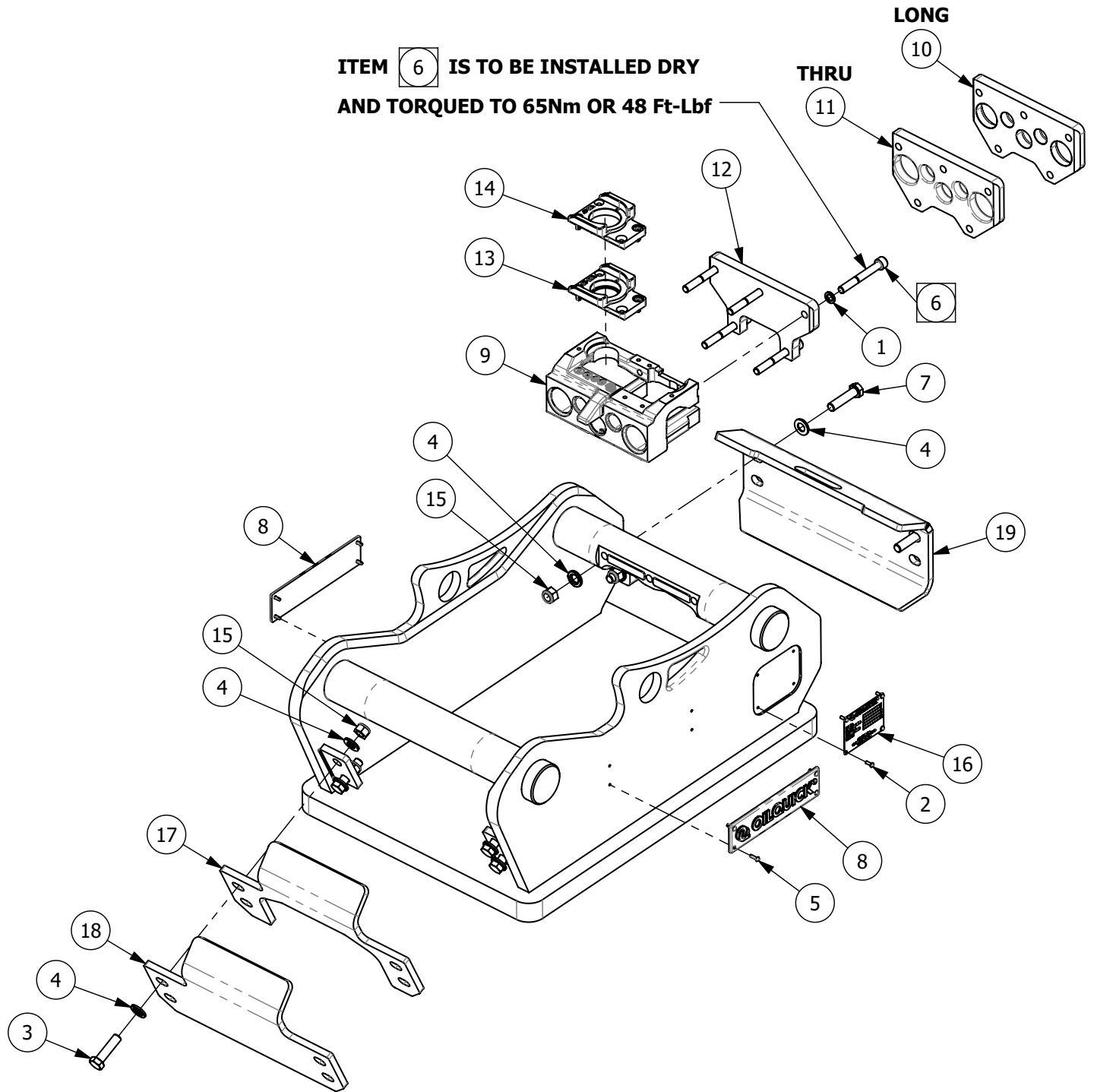
2.1 - COUPLING 3/8", 1/2" & 3/4" ..... 6  
2.2 - SPLITBLOCK ..... 8

### 3.0 - ELECTRICAL COUPLINGS

3.1 - V90-10 ..... 10

# 1.0 - HYDRAULIC FRAME ASSEMBLY

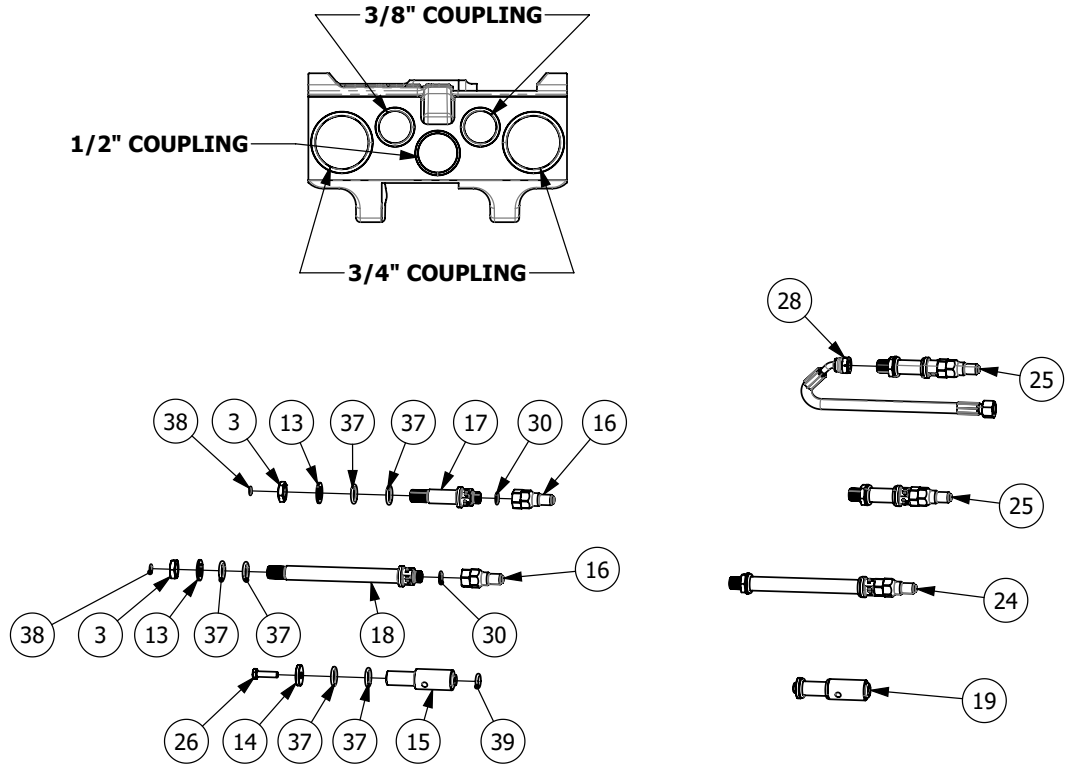
## 1.1 - OQ60-5 - D-FRAME ASSEMBLY



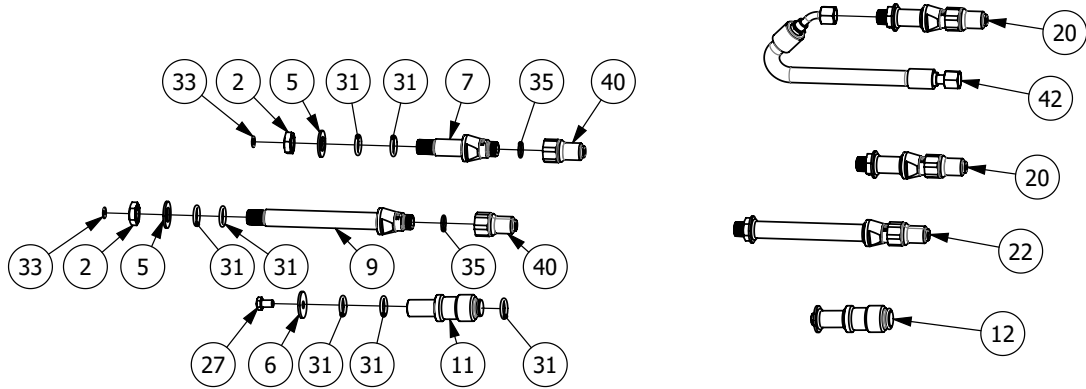
ITEM	PN#	NAME	QTY	UOM
1	50-00682	WASHER NORDLOCK M10 - 16.6 X 2.5 1244	5	EA
2	50-01065	DRIVE SCREW #6 X 3/8 STAINLESS RIVET	4	EA
3	50-01097	HH CS M12 - 1.75 X 45 Z_10.9 DIN 931	4	EA
4	50-01098	WASHER M12 - 24.0 X 2.5 Z_DIN 125	16	EA
5	50-01295	DRIVE SCREW #6 X 1/2 STAINLESS	8	EA
6	50-01324	SH CS M10 - 1.50 X 80 Z_12.9 DIN 931	5	EA
7	50-01342	HH CS M12 - 1.75 X 50 Z_10.9 D933	4	EA
8	OQ4116145	EMBLEM - OILQUICK - OQ45-OQ65	2	EA
9	OQ4133406	COUPLING RAMP OQ60-5 BOLT ON	1	EA
10	OQ4133767	BACKING PLATE RAMP OQ60-5 BOLT ON LONG	1	EA
11	OQ4133768	BACKING PLATE RAMP OQ60-5 BOLT ON THRU	1	EA
12	OQ4134108	BACKING PLATE RAMP OQ60-5 BOLT ON STD	1	EA
13	OQ5110506	V90-10 KIT OQ60 2.0	1	EA
14	OQ5110507	V90-17 KIT OQ60 2.0	1	EA
15	OQ7065005	NUT - M12 NYLOCK	8	EA
16	OQE04743	SERIAL TAG - OILQUICK AMERICAS	1	EA
17	OQE05716	PROTECTION PLATE FRONT - OQ60 CUTOUT 2.0	1	EA
18	OQE05717	PROTECTION PLATE FRONT - OQ60 SOLID 2.0	1	EA
19	OQE05718	PROTECTION PLATE REAR - OQ60 SOLID 2.0	1	EA

## 2.0 - HYDRAULIC COMPONENTS

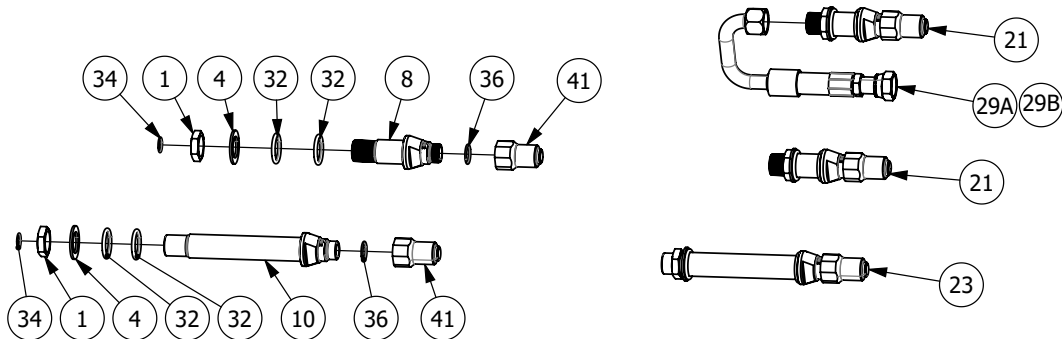
### 2.1 - COUPLING 3/8", 1/2" & 3/4"



#### 3/8" COUPLING OPTIONS



#### 1/2" COUPLING OPTIONS



#### 3/4" COUPLING OPTIONS

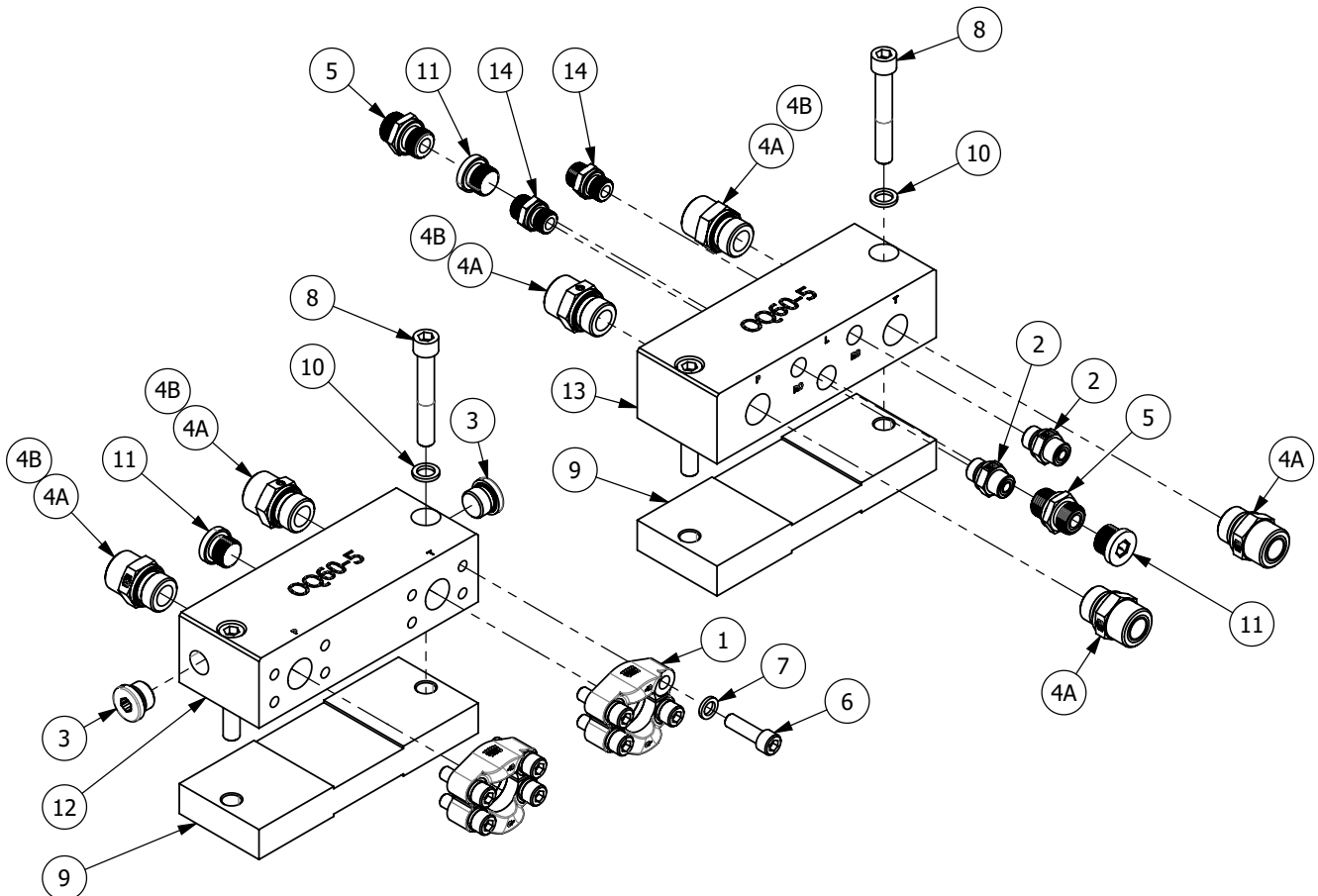
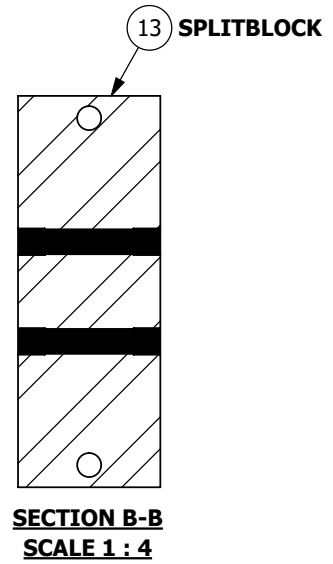
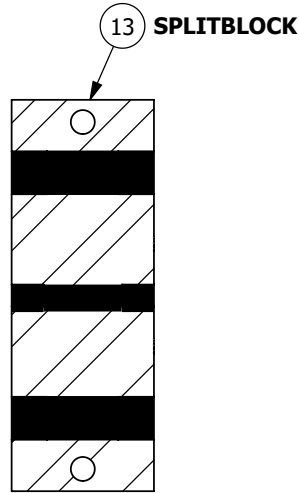
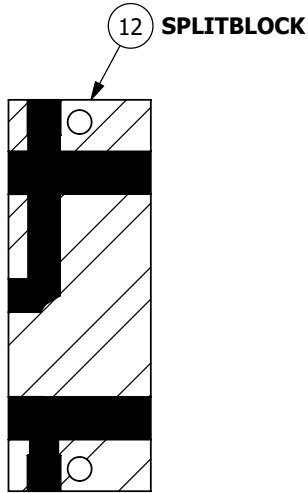
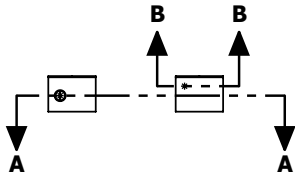
ITEM	PN#	NAME	QTY	UOM
1	40-00500	FTG-HYD 12MO LOCKNUT	2	EA
2	40-00501	FTG-HYD 08MO LOCKNUT	2	EA
3	40-00502	FTG-HYD 06MO LOCKNUT	2	EA
4	OQ4112315	WASHER 1.188 - 1.88 X 0.12 P	2	EA
5	OQ4112316	WASHER 0.750 - 1.49 X 0.12 P	2	EA
6	OQ4112660	WASHER 1/2"	1	EA
7	OQ4113765	BULKHEAD 1/2" SHORT OQ65	1	EA
8	OQ4113766	BULKHEAD 3/4" SHORT OQ65	1	EA
9	OQ4113767	BULKHEAD 1/2"ILONGOQ60-5	1	EA
10	OQ4113768	BULKHEAD 3/4" LONG OQ60-5	1	EA
11	OQ4113859	POLY ADAPTER 1/2"	1	EA
12	OQ4113860	POLY ADAPTER 1/2" OQ60-65	1	EA
13	OQ4114030	WASHER 0.625 X 1.16 - 0.10 Z	2	EA
14	OQ4114173	WASHER 1/4"	1	EA
15	OQ4118113	POLY ADAPTER 1/4"	1	EA
16	OQ4118750	HYDRAULIC COUPLING 3/8", MALE	2	EA
17	OQ4118757	COUPLING KIT 3/8" LONG OQ60-5	1	EA
18	OQ4118758	Bulkhead 3/8"	1	EA
19	OQ5110068	POLY ADAPTER 1/4" & 3/8" OQ60-5	1	EA
20	OQ5110082	COUPLING KIT 1/2" OQ65 NO BLOCK	2	EA
21	OQ5110083	COUPLING KIT 3/4" OQ65 NO BLOCK	2	EA
22	OQ5110084	COUPLING KIT 1/2" LONG OQ60	1	EA
23	OQ5110085	COUPLING KIT 3/4" LONG OQ60	1	EA
24	OQ5110130	COUPLING KIT 3/8" LONG OQ60-5	1	EA
25	OQ5110131	Coupling kit 3/8" OQ60-5	2	EA
26	OQ7060108	HH CS M8 - 1.25 X 30	1	EA
27	OQ7060118	HH CS M10 - 1.50 X 16	1	EA
28	OQ7150592	HYDRAULIC HOSE 1/4" & 3/8" L=380MM	1	EA
29A	OQ7151131	HOSE-12-100R15-12FOX-12FOX180-6.762	1	EA
29B	OQ7150219	HYDRAULIC HOSE/PIPE 3/4"	1	EA
30	OQ7160012	O-RING 14X2 72NBR	2	EA
31	OQ7160031	RUBBER RING 22x4	7	EA
32	OQ7160043	O-RING 34x5 NBR 70	4	EA

ITEM	PN#	NAME	QTY	UOM
33	OQ7160045	O-ring 12,42x1,78 NBR90	2	EA
34	OQ7160046	O-RING-018 -12MO (18,77x1,78) NBR 90D	2	EA
35	OQ7160048	O-ring 17,6x2,62 NBR70	2	EA
36	OQ7160049	O-RING 23,47x2,62 NBR70	2	EA
37	OQ7160077	20x4 NBR 70	6	EA
38	OQ7160078	9,25x1,78 NBR 70	2	EA
39	OQ7160079	O-RING 13x4 NBR70	1	EA
40	OQ7206017	HYDRAULIC COUPLING 1/2", MALE	2	EA
41	OQ7206019	HYDRAULIC COUPLING 3/4", MALE	2	EA
42	OQE02605	HOSE HYD- 08M5K-08FOX-08FOX45	1	EA



## 2.0 - HYDRAULIC COMPONENTS

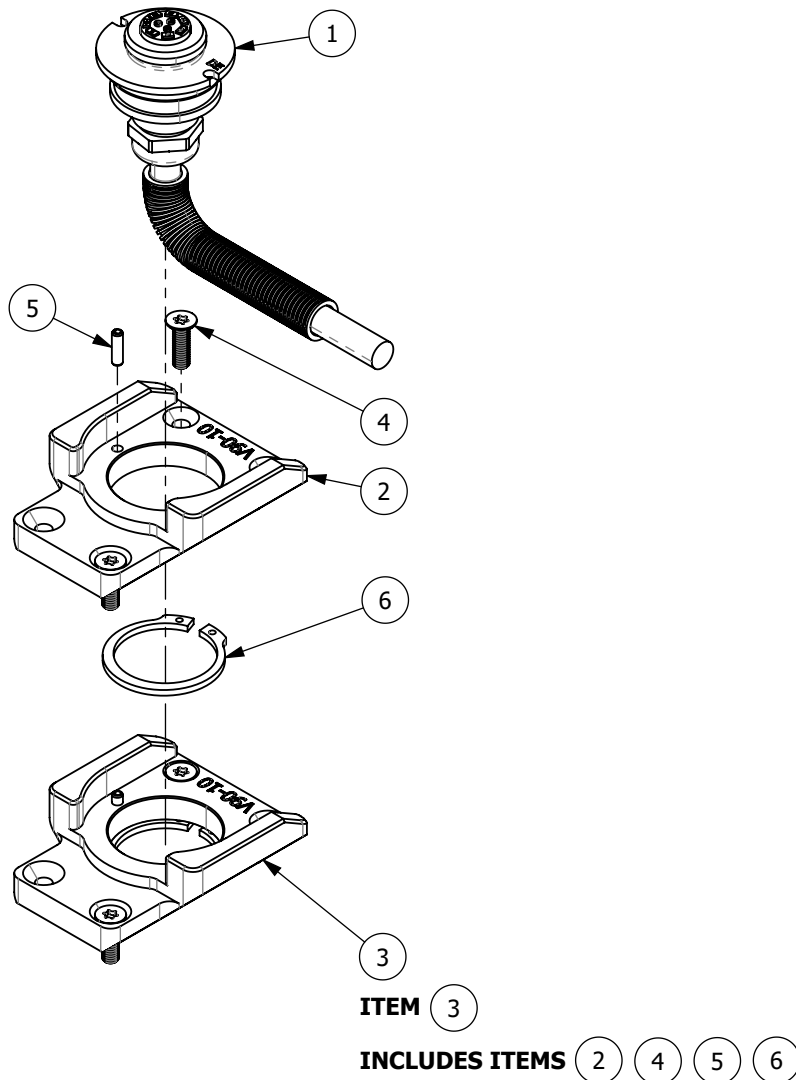
### 2.2 - SPLITBLOCK



ITEM	PN#	NAME	QTY	UOM
1	40-00028	SPLIT FLANGE -12FL62	4	EA
2	40-00516	FTG-HYD 06MG-E-06MO	2	EA
3	40-00882	FTG-HYD 08MGH-E-PL	2	EA
4A	40-01473	FTG-HYD 12G-E-12MO	6	EA
4B	OQ7200297	NIPPLE 25S-G3/4" UF ED	4	EA
5	40-02101	FTG-HYD 08MG-E-08MO	2	EA
6	50-00136	SH CS M10 - 1.500 X 35	8	EA
7	50-00682	WASHER NORDLOCK M10 - 16.6 X 2.5 1244	8	EA
8	50-01018	SH CS M12-1.75 X 80 B_12.9 D931	4	EA
9	OQ4119690	Spacer, OQ60-5 tool adapter	2	EA
10	OQ7072007	WASHER M12 X 19.5 X 2.5 NORDLOCK	4	EA
11	OQ7091009	PLUG - 08 MBSPP -ED	3	EA
12	OQ7200328	SPLIT BLOCK OQ60-5 2X3/4", 1x1/2"	1	EA
13	OQ7200329	Hydr.block 2x3/4", 1x1/2", 2x1/4"	1	EA
14	OQ7200445	Nipple 12L-G3/8" UF ED	2	EA

## 3.0 - ELECTRICAL COUPLINGS

### 3.1 - V90-10



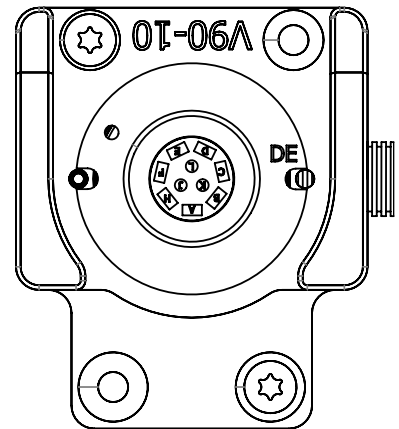
**V90-10 PIN DIAGRAM**

CONTACT	CABLE
A	1
B	2
C	3
D	4
E	5
F	6
H	7
J	8
K	9
L	10
	G-G
N.C.	11

UNCONNECTED CABLES MAY BE CUT

N.C. = NOT CONNECTED

G-G = YELLOW / GREEN ALTERNATE 12



**STANDARD V90 COUPLING WITH PIGTAIL HARNESS (LOOSE WIRES) SHOWN. ACTUAL V90 CONFIGURATION MAY VARY.**

ITEM	PN#	NAME	QTY	UOM
1	OQ4125039	ELECTRICAL COUPLING V90-10 MALE Ø50	1	EA
2	OQ4134139	HOLDER V90-10 OQ60-5	1	EA
3	OQ5110506	V90-10 KIT OQ60 2.0	1	EA
4	OQ7060328	FH CS M6 - 1.0 X 20 SS_A4 TORX	2	EA
5	OQ7089013	Spring pin FRP 4x14 DIN 1481	1	EA
6	OQ7170054	Circlip AS 40 t=2,5	1	EA



Dealer:



OilQuickAmericas  
155 Main Street  
Superior, WI 54880  
Phone: 262.607.8425  
Fax: 715.395.3703

E-mail: [info@oilquickamericas.com](mailto:info@oilquickamericas.com)  
Web: [www.oilquickamericas.com](http://www.oilquickamericas.com)